

**Roll Feeder Type 240A/B
(B641/B642)**

Roll Feeder Type 240A/B (B641/B642)

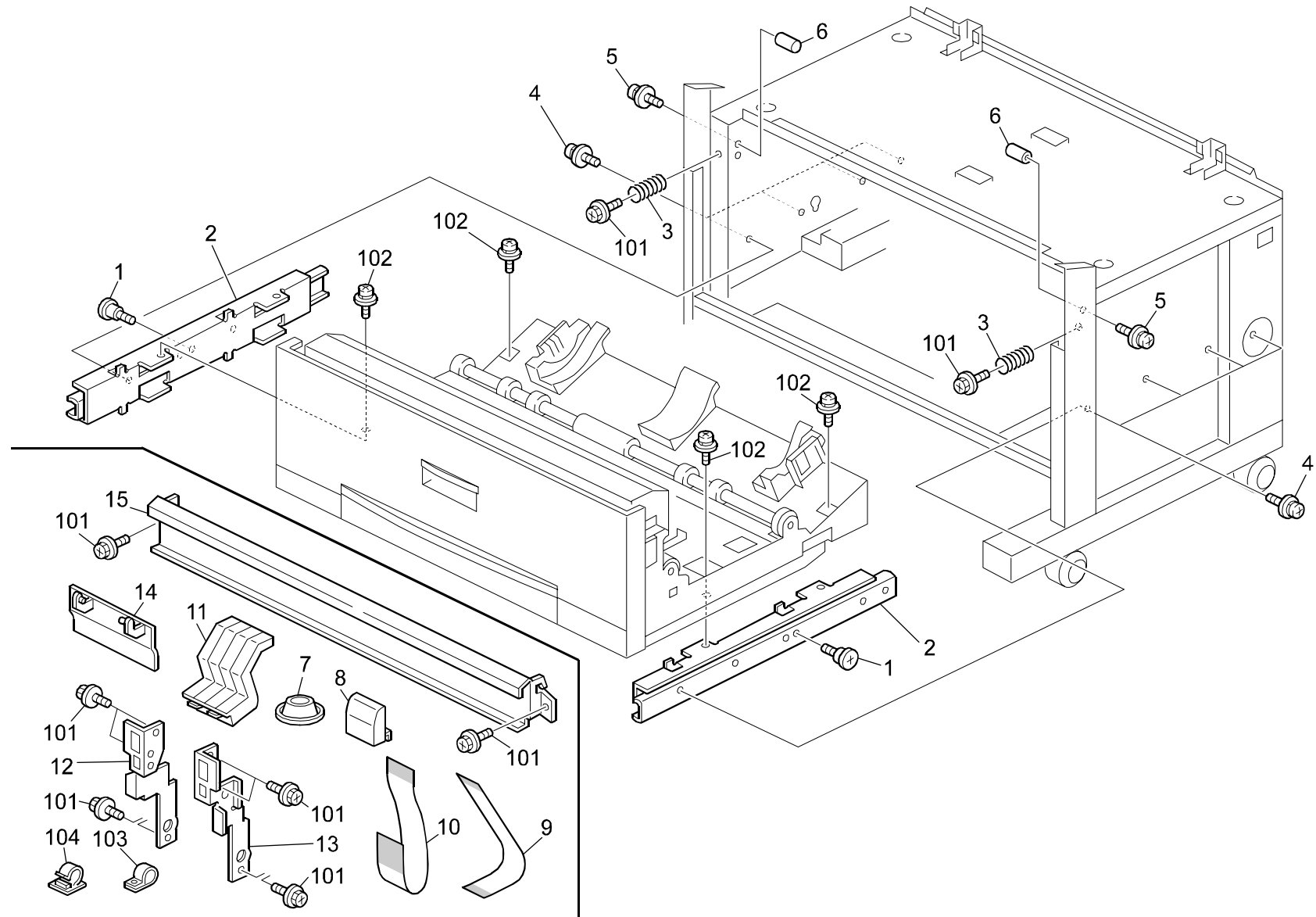
PARTS CATALOG

This catalog gives the numbers and names of parts on this machine.

1.EXTERIOR (B641/B642).....	2
2.ROLL PAPER HOLDER (B641/B642)	4
3.ROLL PAPER FEED 1 (B641/B642).....	6
4.ROLL PAPER FEED 2 (B641/B642).....	8
5.ROLL PAPER FEED 3 (B641/B642).....	10
6.FRAME SECTION 1 (B641/B642).....	12
7.FRAME SECTION 2 (B641/B642).....	14
8.DECALS AND DOCUMENTS (B641/B642).....	16
PARTS INDEX	19

February ,5 ' 2004

1.EXTERIOR (B641/B642)

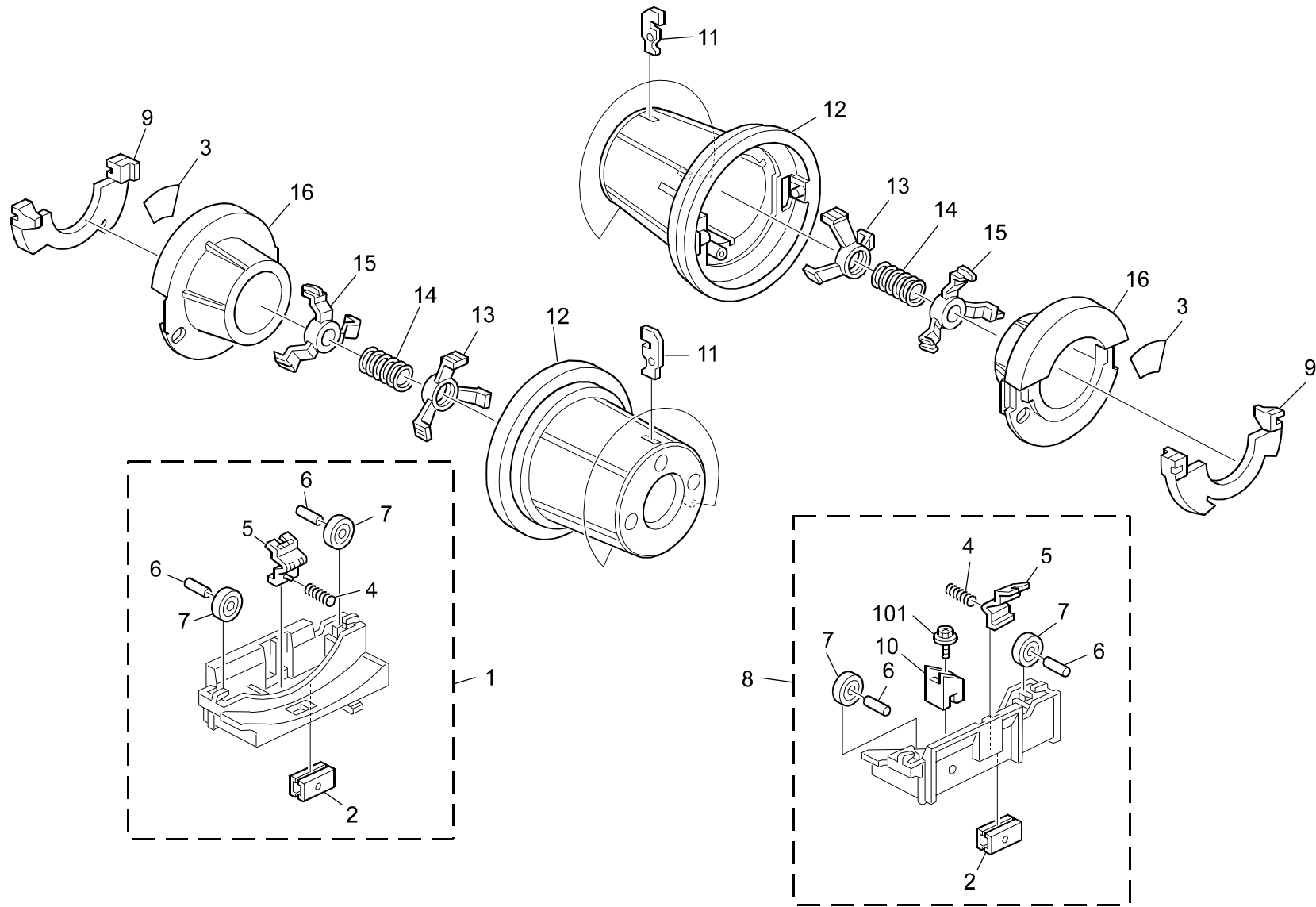


1.EXTERIOR (B641/B642)

Index No.	Part No.	Description	Q'ty Per Assembly
1	C201 5125	Stepped Screw - M6	2
2	AA07 0063	2roll Slide Rail	2
3	AA06 3414	Spring - Long Positioning	2
4	B435 2935	Screw:Polished Round:Paper Feed Unit	8
5	B435 2936	Screw - M4X8	1
6	AA14 3782	Paper - Feed Lock Pin	2
7	B023 1101	Stand Holder	4
8	B641 1125	Cap:Stand	2
9	B641 4459	Sheet:Copy Tray:Upper:2	2
10	B641 4456	Sheet:Copy Tray:Upper	2
11	B641 4455	Copy Tray:Lower Rear:2	3
12	B641 2966	Bracket:Fix:Stand:Left	1
13	B641 2968	Bracket:Fix:Stand:Right	1
14	B641 2972	Guide Plate:Moveable	6
15	B047 2606	Outer Lower Guide Plate	1

Index No.	Part No.	Description	Q'ty Per Assembly
101	0802 5282	Tapping Screw - M4x8	
102	0951 4006B	Philips Screw With Washer - M4x6	
103	1105 0019	Nylon Clamp - 11N	
104	1105 0051	DKN Clumper - 13M	

2.ROLL PAPER HOLDER (B641/B642)

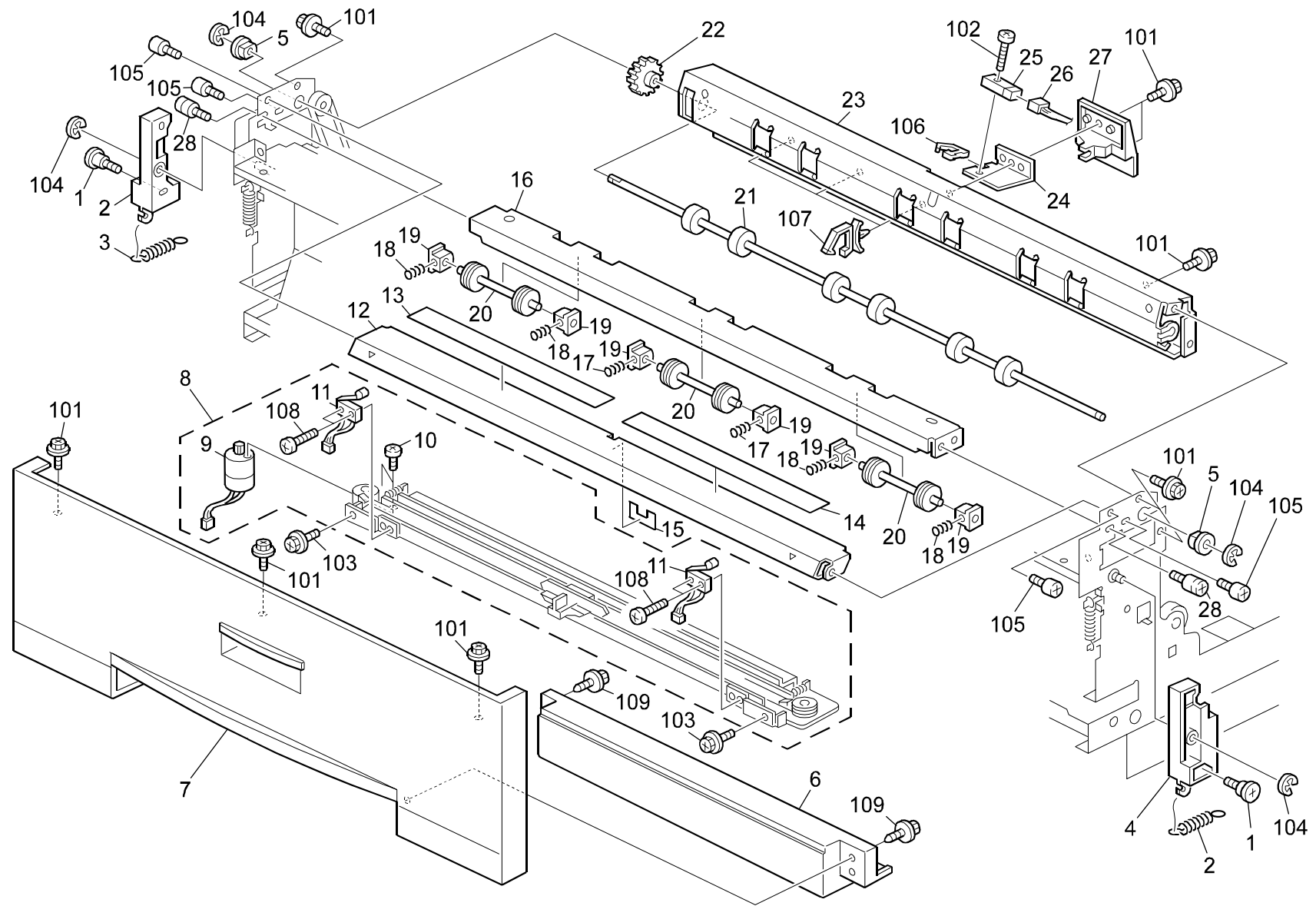


2.ROLL PAPER HOLDER (B641/B642)

Index No.	Part No.	Description	Q'ty Per Assembly
1	B641 2798	Holder:Right:Unit	1
2	AG07 0014	Magnet Catch	2
3	B353 2778	Decal - Paper Holder Chart	2
4	B353 2767	Brake Compression Spring	2
5	B353 2766	Paper Holder Brake	2
6	B353 2765	Roller Shaft	2
7	G070 6063	Bearing - 8x22x7	4
8	B641 2796	Holder:Left:Unit	1
9	B353 2773	Paper Holder Lock Lever	2
10	B353 2768	Positioning Plate	1
11	B353 2775	Paper Holder Pawl	2
12	B353 2771	Roll Paper Holder	2
13	B353 2774	Arm Stopper Pawl	2
14	B353 2776	Lock Compression Spring	2
15	B353 2777	Upper Arm Stopper Pawl	2
16	B353 2772	Paper Holder Stopper	2

Index No.	Part No.	Description	Q'ty Per Assembly
101	0452 3010B	Tapping Bind Screw - M3x10	

3.ROLL PAPER FEED 1 (B641/B642)

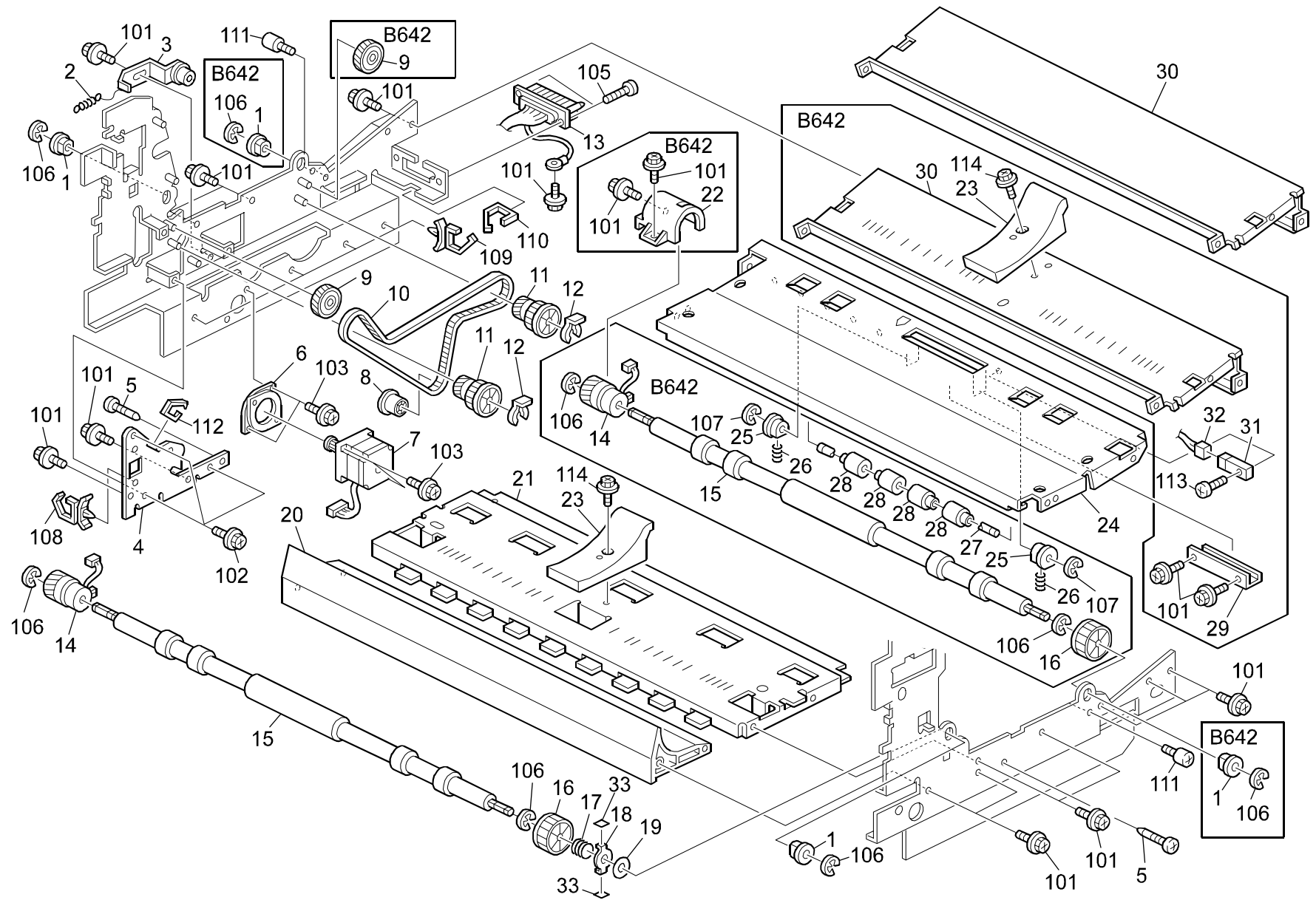


3.ROLL PAPER FEED 1 (B641/B642)

Index No.	Part No.	Description	Q'ty Per Assembly
1	AA14 3718	Stepped Screw - M4	2
2	B641 2718	Lever:Left:Pressure:Exit Roller	2
3	AA06 0854	Tightener Spring	1
4	B641 2719	Lever:Right:Pressure:Exit Roller	1
5	AA08 2104	Bushing - 8x12x7	2
6	B641 2927	Cover:Front:Cassette	1
7	B641 2926	Cover:Front	1
8	AJ03 0012	Cutter Unit	1
9	B641 2833	DC Motor:DC24V 7.18W	1
10	A571 7665	Screw - M2.6X5	1
11	B641 5766	Harness:Micro Switch	2
12	B641 2715	Stay:Guide Plate:Exit	1
13	B641 1450	Decal:Operate:Paper Holder	1
14	B641 1451	Decal:Operate:Roll Paper	1
15	B641 2716	Sheet:Stay:Guide Plate:Exit	1
16	B641 2712	Guide Plate:Exit:Outer	1
17	5205 4527	Spring - Exit	2
18	A259 6759	Lubricant Pressure Spring	4
19	AA08 2135	Bushing - DIA4	6
20	AF02 2128	Transport Driven Roller	3
21	AF02 0602	Exhaust Drive Roller	1
22	AB01 4260	Gear - 26Z	1
23	B641 2725	Inner Exit Guide Plate	1
24	B641 2724	Guide Plate:Photo Sensor	1
25	AW01 0093	Photo Reflection Sensor - PS-17ND1	1
26	B641 5763	Harness - DC Paper Tray Sensor	1
27	B641 2726	Guide Plate:Roller	1
28	5403 2819	Spring Anchor - Reverse Roller	2

Index No.	Part No.	Description	Q'ty Per Assembly
101	0451 3006B	Tapping Screw - M3x6	
102	0453 3012B	Binding Self Tapping Screw - 3x12	
103	0451 4008B	Philips Tapping Screw - M4x8	
104	0720 0060E	Retaining Ring - M6	
105	0801 1179	Philips Screw With Toothed Washer	
106	1105 0522	Edge Saddle - LES0510	
107	1105 0511	Harness Clamp - LWS-0306ZC	
108	0801 1245	Philips Pan Head Screw - M2.3x8	
109	0450 4010B	Tapping Screw - 4x10	

4.ROLL PAPER FEED 2 (B641/B642)

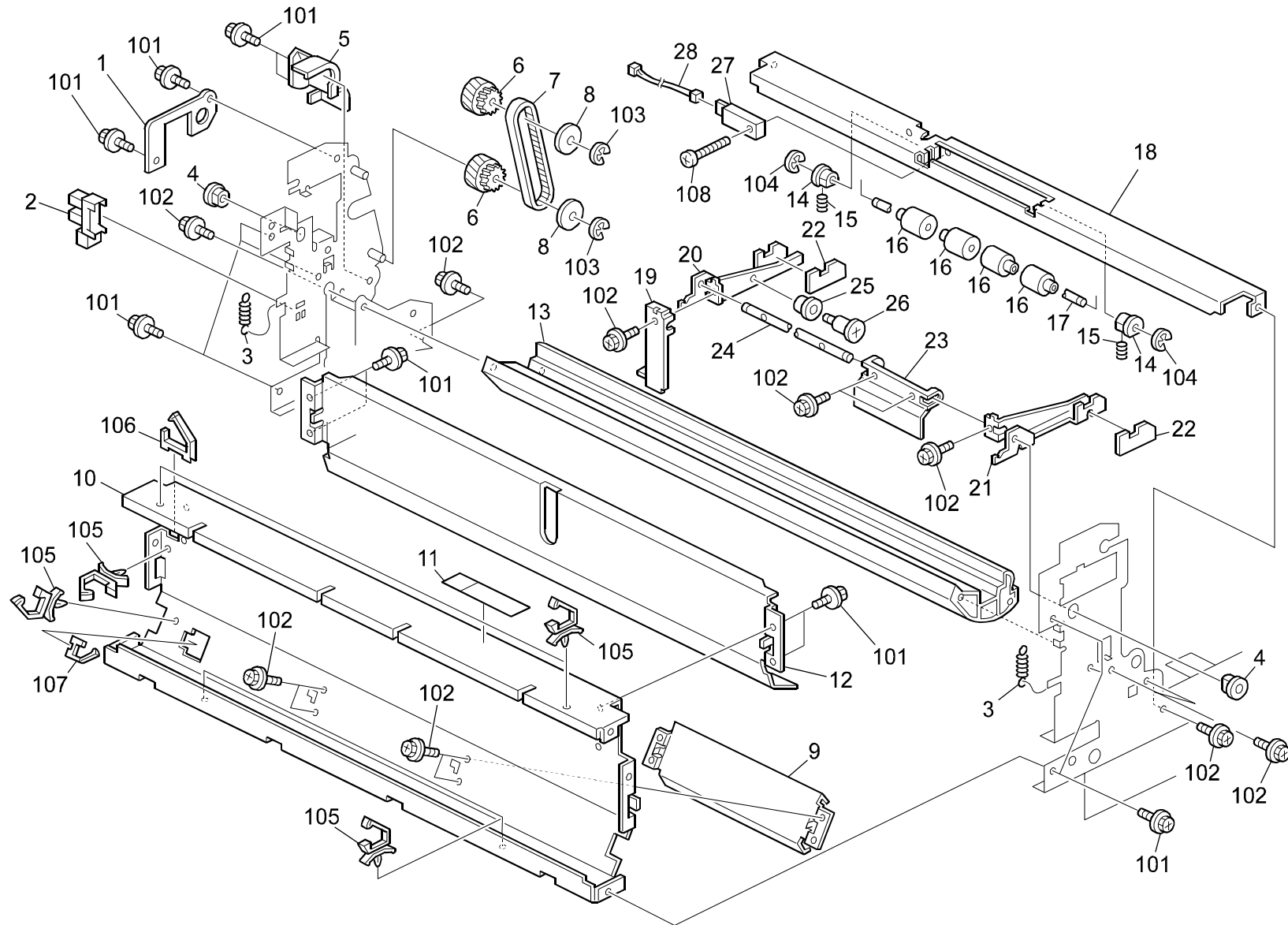


4.ROLL PAPER FEED 2 (B641/B642)

Index No.	Part No.	Description	Q'ty Per Assembly
1	AA08 2104	Bushing - 8x12x7	4
2	A184 1748	Tension Spring	1
3	B641 2851	Tightener:Lower:Peen	1
4	B641 2775	Side Plate:Left:Auxiliary	1
5	5446 2824	Screw - Duplex Guide Plate	2
6	AA16 1153	Cushion - Stepper Motor	1
7	G568 2702	Stepper Motor - DC4.42W	1
8	AB03 0455	Tightener Pulley - 8x20x13	1
9	B023 4570	Gear - 31Z	2
10	AA04 3361	Timing Belt - B40S3M633	1
11	AB01 7665	Pulley - 23T/40T	2
12	5215 2621	Snap Ring - M6	2
13	B641 5775	Harness:DC:Paper Tray	1
14	AX21 0078	Magnetic Clutch	1
15	AF02 0601	Feed Roller	1
16	AG05 0097	Knob - Feed Roll Paper	1
17	AA06 3421	Spring:Brake:Feed Roller	1
18	B641 2735	Collar Brake	1
19	B641 2741	Pad:Brake	1
20	B641 2770	Guide Plate:Connecting:Lower	1
21	B641 2756	Base:Front:Peen:A4	1
21	B641 2759	Base:Front:Peen:LT	1
22	B642 2932	Inner Cover:Drive Sub-unit:2	1
23	B641 2794	Holder:Paper Holder:Middle	2
24	B641 2748	Guide Plate:Lower:Peen	1
25	AA08 0037	Bushing - 6mm	2
26	AA06 3177	Pressure Center Spring	2
27	AA14 0843	Middle Paper Feed Roller Shaft	1
28	AF02 2155	Middle Paper Feed Roller	4
29	B642 2753	Cover:Roller	1
30	B641 2765	Base:Rear:1roll (B641)	1
30	B642 2766	Base:Rear:A4 (B642)	1
30	B642 2767	Base:Rear:LT (B642)	1
31	B010 5564	Photo Refiection Sensor:PS-R11ND1-B	1
32	B641 5773	Harness:DC:Paper End Sensor:EXP:2	1

Index No.	Part No.	Description	Q'ty Per Assembly
33	B641 2743	Guard:Collar:Brake	2
101	0451 3006B	Tapping Screw - M3x6	
102	0802 5276	Tapping Screw With Washer - M3x6	
103	0451 4010B	Tapping Screw - 4x10	
104	0802 5282	Tapping Screw - M4x8	
105	0453 3008B	Bind Tapping Screw - M3x8	
106	0720 0060E	Retaining Ring - M6	
107	0720 0040E	Retaining Ring - M4	
108	1105 0511	Harness Clamp - LWS-0306ZC	
109	1105 0487	Harness Clamp	
110	1105 0518	Edge Saddle - LES-1010	
111	0801 1179	Philips Screw With Toothed Washer	
112	1105 0522	Edge Saddle - LES0510	
113	0453 3010B	Binding Self Tapping Screw - M3x10	
114	0451 4008B	Philips Tapping Screw - M4x8	

5.ROLL PAPER FEED 3 (B641/B642)

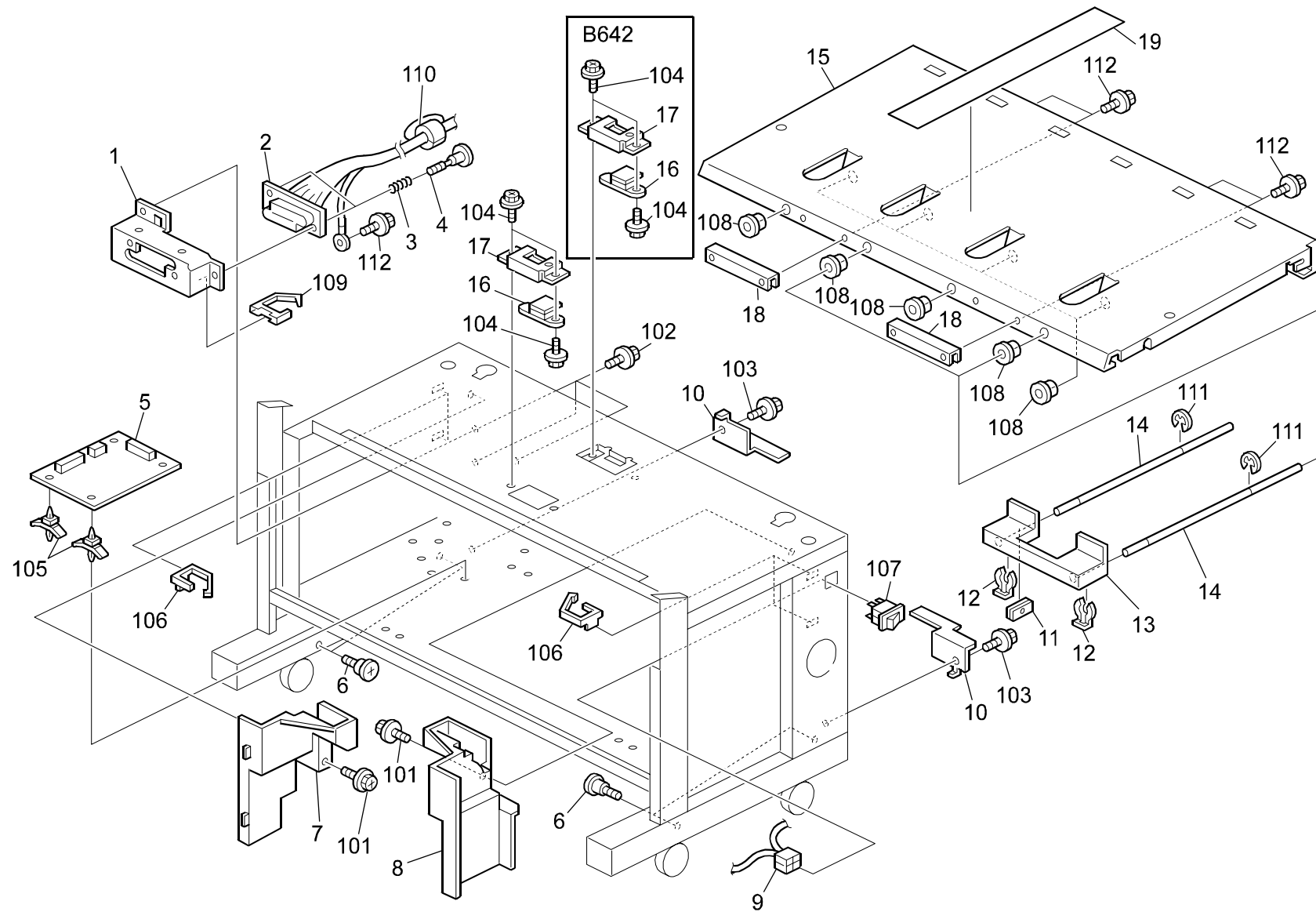


5.ROLL PAPER FEED 3 (B641/B642)

Index No.	Part No.	Description	Q'ty Per Assembly
1	B641 2788	Supporting Plate:Side Plate:Left	1
2	AW02 0075	Photointerruptor	1
3	5403 1030	Tension Spring	2
4	AA08 2104	Bushing - 8x12x7	2
5	B641 2930	Inner Cover:Drive Sub-unit:1	1
6	AB01 7666	Gear/pulley - 25Z/28T	2
7	AA04 3940	Timing Belt	1
8	AA13 2152	Spacer - 8x20x1	2
9	B641 2776	Guide Plate:Connecting:Cassette	1
10	B641 2774	Guide Plate:Vertical Transport	1
11	AA00 0646	Decal:Cutter:Caution Chart:EXP	1
12	B641 2732	Guide Plate:Upper	1
13	B641 2768	Guide Plate:Connecting:Upper	1
14	AA08 0037	Bushing - 6mm	2
15	AA06 3177	Pressure Center Spring	2
16	AF02 2155	Middle Paper Feed Roller	4
17	AA14 0843	Middle Paper Feed Roller Shaft	1
18	B641 2740	Guide Plate:Lower	1
19	B641 2903	Shielding Plate:Photointerruptor	1
20	B641 2901	Lever:Lock:Left	1
21	B641 2902	Lever:Lock:Right	1
22	B641 2900	Lock Lever Cover	2
23	B010 2900	Grip Lever	1
24	AA14 0842	Release Shaft	1
25	B104 4463	Tightener MM12	1
26	5422 1737	Shaft	1
27	B010 5564	Photo Refiection Sensor:PS-R11ND1-B	1
28	B641 5772	Harness:Dc:Paper End Sensor:Exp:1	1

Index No.	Part No.	Description	Q'ty Per Assembly
101	0451 3006B	Tapping Screw - M3x6	
102	0451 4010B	Tapping Screw - 4x10	
103	0720 0060E	Retaining Ring - M6	
104	0720 0040E	Retaining Ring - M4	
105	1105 0511	Harness Clamp - LWS-0306ZC	
106	1105 0522	Edge Saddle - LES0510	
107	1105 0544	Edge Saddle:LES-2017	
108	0453 3010B	Binding Self Tapping Screw - M3x10	

6.FRAME SECTION 1 (B641/B642)

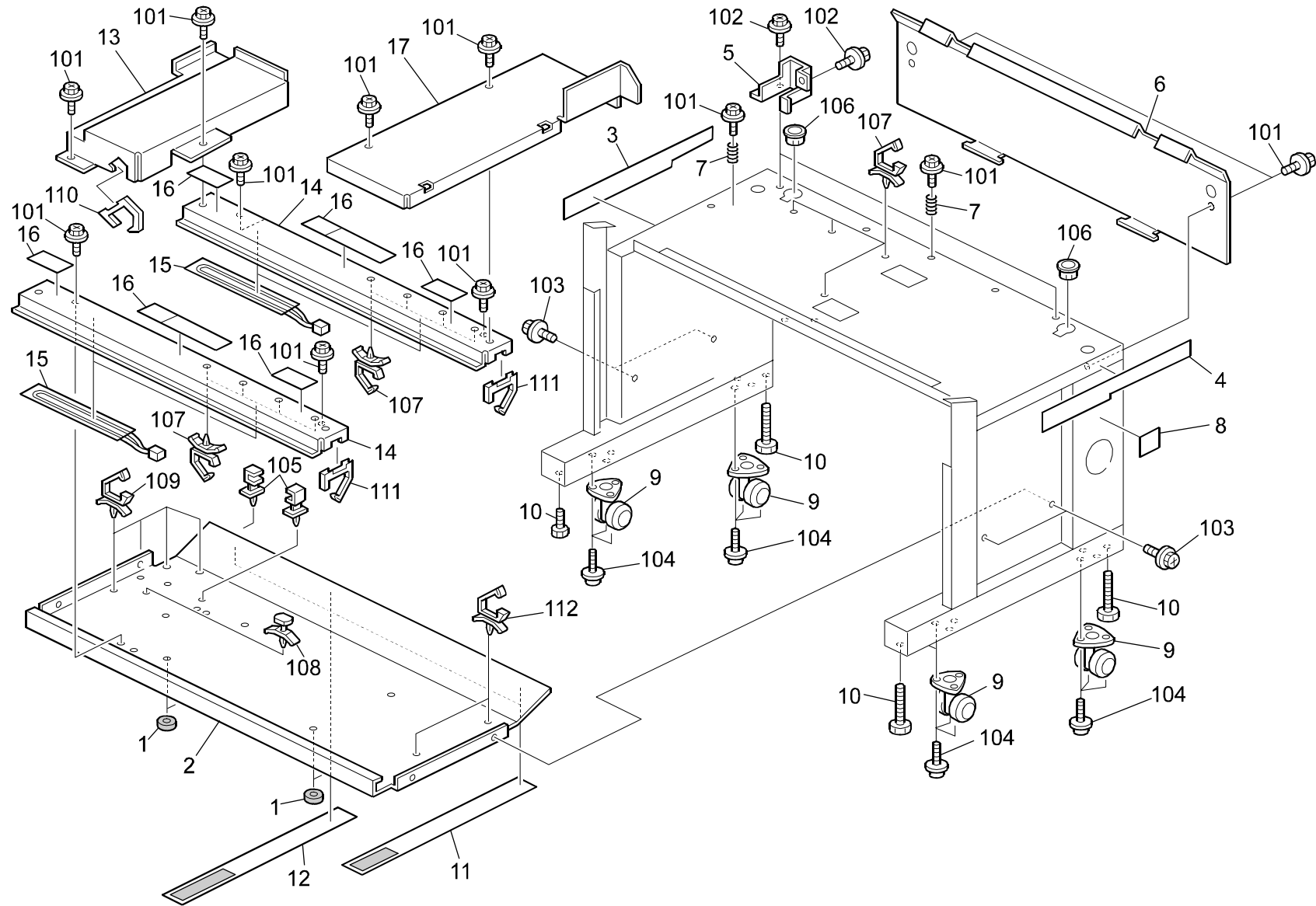


6.FRAME SECTION 1 (B641/B642)

Index No.	Part No.	Description	Q'ty Per Assembly
1	B641 2950	Bracket:Connector:Rear	1
2	B641 5765	Harness:DC:Paper Feed Tray	1
3	AA06 3532	Spring	2
4	AA14 3452	Stepped Screw	2
5	B641 5552	PCB:RFDB	1
6	AA14 3129	Shoulder Screw - Front Cover	4
7	B641 2954	Inner Cover:Harness:Left Inner Rear	1
8	B641 2956	Inner Cover:Harness:Right Inner Rear	1
9	B641 5750	Harness:Ac:Dehumidifier	1
10	B641 4457	Supporting Plate:Left And Right	2
11	AG07 0014	Magnet Catch	2
12	5447 2681	Snap Ring	4
13	B641 4451	Stopper:End Fence	2
14	AA14 9843	Copy Tray Stopper	4
15	B641 4450	Copy Tray:2	1
16	AW01 0045	Paper End Sensor	2
17	B641 2962	Bracket:Paper End Sensor	2
18	B641 4460	Bracket:Stopper:End Fence:NA:Small	2
19	B641 4461	Sheet:Copy Tray:Middle (NA)	1

Index No.	Part No.	Description	Q'ty Per Assembly
101	0451 4008B	Philips Tapping Screw - M4x8	
102	0451 4008H	Tapping Screw - 4x8	
103	0802 5282	Tapping Screw - M4x8	
104	0802 5276	Tapping Screw With Washer - M3x6	
105	1105 0531	Locking Support-EMSS-4S	
106	1105 0563	Clamp - LWSS-2N	
107	1204 2634	Rocker Switch - Aj76200b	
108	1106 0063	Snap Bushing	
109	1105 0521	Clamp - LES-1017	
110	1607 0534	Ferrite Core - ZCAT3035-1330	
111	0720 0040E	Retaining Ring - M4	
112	0451 3006B	Tapping Screw - M3x6	

7.FRAME SECTION 2 (B641/B642)

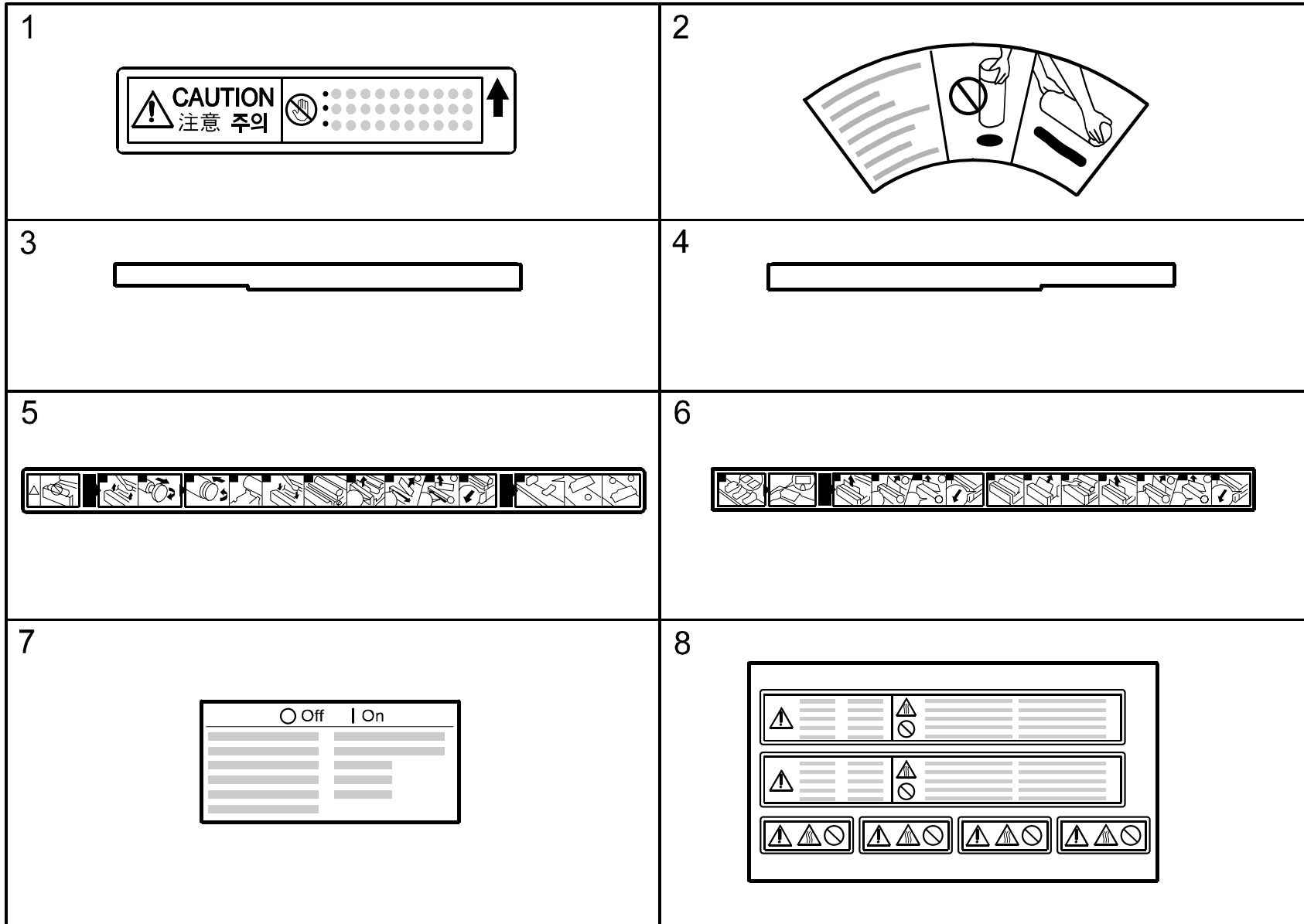


7.FRAME SECTION 2 (B641/B642)

Index No.	Part No.	Description	Q'ty Per Assembly
1	H072 2207	Guard	8
2	B641 1101	Cover:Paper Feed:Lower	1
3	B641 1120	Decal:Table:Left	1
4	B641 1121	Decal:Table:Right	1
5	B641 2970	Ground Plate:Stand	1
6	B641 1111	Cover:Rear	1
7	AA06 3302	Spring - Positioning	2
8	B641 1455	Decal:Switch:Dehumidifier	1
9	C576 1093	Caster	4
10	AA14 3780	Hexagonal Bolt - M12x60	4
11	B641 4402	Stopper:Copy Tray:Small:Unit	1
12	B641 4401	Stopper:Copy Tray:Large:Unit	1
13	B641 2953	Inner Cover:RFDB	1
14	B641 2958	Cover:Harness:Heater	2
15	AX40 0169	Heater - 120V/18W	2
15	AX40 0170	Heater - 230V/18W	2
16	B641 1456	Decal:Warning:High Temperature	2
17	B641 2960	Cover:Harness:Heater:Right	1

Index No.	Part No.	Description	Q'ty Per Assembly
101	0802 5282	Tapping Screw - M4x8	
102	0451 3006H	Tapping Screw - 3x6	
103	0451 4008H	Tapping Screw - 4x8	
104	0954 5014B	Screw:Polished Round/Spring:M5x14	
105	1105 0436	Locking Support - KGCP-08-0	
106	1106 0459	Bushing - 20.2mm	
107	1105 0511	Harness Clamp - LWS-0306ZC	
108	1105 0409	Card Spacer- 6.4mm	
109	1105 0488	Harness Clamp	
110	1105 0521	Clamp - LES-1017	
111	1105 0522	Edge Saddle - LES0510	
112	1105 0516	Clamp	

8.DECALS AND DOCUMENTS (B641/B642)



8.DECALS AND DOCUMENTS (B641/B642)



Index No.	Part No.	Description	Q'ty Per Assembly
1	AA00 0646	Decal:Cutter:Caution Chart:EXP	1
2	B353 2778	Decal - Paper Holder Chart	2
3	B641 1120	Decal:Table:Left	1
4	B641 1121	Decal:Table:Right	1
5	B641 1450	Decal:Operate:Paper Holder	1
6	B641 1451	Decal:Operate:Roll Paper	1
7	B641 1455	Decal:Switch:Dehumidifier	1
8	B641 1456	Decal:Warning:High Temperature	2

Index No.	Part No.	Description	Q'ty Per Assembly

Parts Index

Parts Index

Part No.	Description	Page and Index No.
B641 1101	Cover:Paper Feed:Lower	15 - 2
B641 1111	Cover:Rear	15 - 6
B641 1120	Decal:Table:Left	17 - 3
B641 1120	Decal:Table:Left	15 - 3
B641 1121	Decal:Table:Right	17 - 4
B641 1121	Decal:Table:Right	15 - 4
B641 1125	Cap:Stand	3 - 8
B641 1450	Decal:Operate:Paper Holder	7 - 13
B641 1450	Decal:Operate:Paper Holder	17 - 5
B641 1451	Decal:Operate:Roll Paper	17 - 6
B641 1451	Decal:Operate:Roll Paper	7 - 14
B641 1455	Decal:Switch:Dehumidifier	17 - 7
B641 1455	Decal:Switch:Dehumidifier	15 - 8
B641 1456	Decal:Warning:High Temperature	15 - 16
B641 1456	Decal:Warning:High Temperature	17 - 8
B641 2712	Guide Plate:Exit:Outer	7 - 16
B641 2715	Stay:Guide Plate:Exit	7 - 12
B641 2716	Sheet:Stay:Guide Plate:Exit	7 - 15
B641 2718	Lever:Left:Pressure:Exit Roller	7 - 2
B641 2719	Lever:Right:Pressure:Exit Roller	7 - 4
B641 2724	Guide Plate:Photo Sensor	7 - 24
B641 2725	Inner Exit Guide Plate	7 - 23
B641 2726	Guide Plate:Roller	7 - 27
B641 2732	Guide Plate:Upper	11 - 12
B641 2735	Collar Brake	9 - 18
B641 2740	Guide Plate:Lower	11 - 18
B641 2741	Pad:Brake	9 - 19
B641 2743	Guard:Collar:Brake	9 - 33
B641 2748	Guide Plate:Lower:Peen	9 - 24
B641 2756	Base:Front:Peen:A4	9 - 21
B641 2759	Base:Front:Peen:LT	9 - 21
B641 2765	Base:Rear:1roll (B641)	9 - 30
B641 2768	Guide Plate:Connecting:Upper	11 - 13
B641 2770	Guide Plate:Connecting:Lower	9 - 20
B641 2774	Guide Plate:Vertical Transport	11 - 10

Part No.	Description	Page and Index No.
B641 2775	Side Plate:Left:Auxiliary	9 - 4
B641 2776	Guide Plate:Connecting:Cassette	11 - 9
B641 2788	Supporting Plate:Side Plate:Left	11 - 1
B641 2794	Holder:Paper Holder:Middle	9 - 23
B641 2796	Holder:Left:Unit	5 - 8
B641 2798	Holder:Right:Unit	5 - 1
B641 2833	DC Motor:DC24V 7.18W	7 - 9
B641 2851	Tightener:Lower:Peen	9 - 3
B641 2900	Lock Lever Cover	11 - 22
B641 2901	Lever:Lock:Left	11 - 20
B641 2902	Lever:Lock:Right	11 - 21
B641 2903	Shielding Plate:Photointerruptor	11 - 19
B641 2926	Cover:Front	7 - 7
B641 2927	Cover:Front:Cassette	7 - 6
B641 2930	Inner Cover:Drive Sub-unit:1	11 - 5
B641 2950	Bracket:Connector:Rear	13 - 1
B641 2953	Inner Cover:RFDB	15 - 13
B641 2954	Inner Cover:Harness:Left Inner Rear	13 - 7
B641 2956	Inner Cover:Harness:Right Inner Rear	13 - 8
B641 2958	Cover:Harness:Heater	15 - 14
B641 2960	Cover:Harness:Heater:Right	15 - 17
B641 2962	Bracket:Paper End Sensor	13 - 17
B641 2966	Bracket:Fix:Stand:Left	3 - 12
B641 2968	Bracket:Fix:Stand:Right	3 - 13
B641 2970	Ground Plate:Stand	15 - 5
B641 2972	Guide Plate:Moveable	3 - 14
B641 4401	Stopper:Copy Tray:Large:Unit	15 - 12
B641 4402	Stopper:Copy Tray:Small:Unit	15 - 11
B641 4450	Copy Tray:2	13 - 15
B641 4451	Stopper:End Fence	13 - 13
B641 4455	Copy Tray:Lower Rear:2	3 - 11
B641 4456	Sheet:Copy Tray:Upper	3 - 10
B641 4457	Supporting Plate:Left And Right	13 - 10
B641 4459	Sheet:Copy Tray:Upper:2	3 - 9
B641 4460	Bracket:Stopper:End Fence:NA:Small	13 - 18

Part No.	Description	Page and Index No.
B641 4461	Sheet:Copy Tray:Middle (NA)	13 - 19
B641 5552	PCB:RFDB	13 - 5
B641 5750	Harness:Ac:Dehumidifier	13 - 9
B641 5763	Harness - DC Paper Tray Sensor	7 - 26
B641 5765	Harness:DC:Paper Feed Tray	13 - 2
B641 5766	Harness:Micro Switch	7 - 11
B641 5772	Harness:Dc:Paper End Sensor:Exp:1	11 - 28
B641 5773	Harness:DC:Paper End Sensor:EXP:2	9 - 32
B641 5775	Harness:DC:Paper Tray	9 - 13
B642 2753	Cover:Roller	9 - 29
B642 2766	Base:Rear:A4 (B642)	9 - 30
B642 2767	Base:Rear:LT (B642)	9 - 30
B642 2932	Inner Cover:Drive Sub-unit:2	9 - 22

Part No.	Description	Page and Index No.
A184 1748	Tension Spring	9 - 2
A259 6759	Lubricant Pressure Spring	7 - 18
A571 7665	Screw - M2.6X5	7 - 10
B010 2900	Grip Lever	11 - 23
B010 5564	Photo Refiection Sensor:PS-R11ND1-B	9 - 31
B010 5564	Photo Refiection Sensor:PS-R11ND1-B	11 - 27
B023 1101	Stand Holder	3 - 7
B023 4570	Gear - 31Z	9 - 9
B047 2606	Outer Lower Guide Plate	3 - 15
B104 4463	Tightener MM12	11 - 25
B353 2765	Roller Shaft	5 - 6
B353 2766	Paper Holder Brake	5 - 5
B353 2767	Brake Compression Spring	5 - 4
B353 2768	Positioning Plate	5 - 10
B353 2771	Roll Paper Holder	5 - 12
B353 2772	Paper Holder Stopper	5 - 16
B353 2773	Paper Holder Lock Lever	5 - 9
B353 2774	Arm Stopper Pawl	5 - 13
B353 2775	Paper Holder Pawl	5 - 11
B353 2776	Lock Compression Spring	5 - 14
B353 2777	Upper Arm Stopper Pawl	5 - 15
B353 2778	Decal - Paper Holder Chart	17 - 2
B353 2778	Decal - Paper Holder Chart	5 - 3
B435 2935	Screw:Polished Round:Paper Feed Unit	3 - 4
B435 2936	Screw - M4X8	3 - 5
C201 5125	Stepped Screw - M6	3 - 1
C576 1093	Caster	15 - 9
G070 6063	Bearing - 8x22x7	5 - 7
G568 2702	Stepper Motor - DC4.42W	9 - 7
H072 2207	Guard	15 - 1

Part No.	Description	Page and Index No.
AA00 0646	Decal:Cutter:Caution Chart:EXP	11 - 11
AA00 0646	Decal:Cutter:Caution Chart:EXP	17 - 1
AA04 3361	Timing Belt - B40S3M633	9 - 10
AA04 3940	Timing Belt	11 - 7
AA06 0854	Tightener Spring	7 - 3
AA06 3177	Pressure Center Spring	11 - 15
AA06 3177	Pressure Center Spring	9 - 26
AA06 3302	Spring - Positioning	15 - 7
AA06 3414	Spring - Long Positioning	3 - 3
AA06 3421	Spring:Brake:Feed Roller	9 - 17
AA06 3532	Spring	13 - 3
AA07 0063	2roll Slide Rail	3 - 2
AA08 0037	Bushing - 6mm	11 - 14
AA08 0037	Bushing - 6mm	9 - 25
AA08 2104	Bushing - 8x12x7	7 - 5
AA08 2104	Bushing - 8x12x7	11 - 4
AA08 2104	Bushing - 8x12x7	9 - 1
AA08 2135	Bushing - DIA4	7 - 19
AA13 2152	Spacer - 8x20x1	11 - 8
AA14 0842	Release Shaft	11 - 24
AA14 0843	Middle Paper Feed Roller Shaft	9 - 27
AA14 0843	Middle Paper Feed Roller Shaft	11 - 17
AA14 3129	Shoulder Screw - Front Cover	13 - 6
AA14 3452	Stepped Screw	13 - 4
AA14 3718	Stepped Screw - M4	7 - 1
AA14 3780	Hexagonal Bolt - M12x60	15 - 10
AA14 3782	Paper - Feed Lock Pin	3 - 6
AA14 9843	Copy Tray Stopper	13 - 14
AA16 1153	Cushion - Stepper Motor	9 - 6
AB01 4260	Gear - 26Z	7 - 22
AB01 7665	Pulley - 23T/40T	9 - 11
AB01 7666	Gear/pulley - 25Z/28T	11 - 6
AB03 0455	Tightener Pulley - 8x20x13	9 - 8
AF02 0601	Feed Roller	9 - 15
AF02 0602	Exhaust Drive Roller	7 - 21

Part No.	Description	Page and Index No.
AF02 2128	Transport Driven Roller	7 - 20
AF02 2155	Middle Paper Feed Roller	11 - 16
AF02 2155	Middle Paper Feed Roller	9 - 28
AG05 0097	Knob - Feed Roll Paper	9 - 16
AG07 0014	Magnet Catch	5 - 2
AG07 0014	Magnet Catch	13 - 11
AJ03 0012	Cutter Unit	7 - 8
AW01 0045	Paper End Sensor	13 - 16
AW01 0093	Photo Reflection Sensor - PS-17ND1	7 - 25
AW02 0075	Photointerruptor	11 - 2
AX21 0078	Magnetic Clutch	9 - 14
AX40 0169	Heater - 120V/18W	15 - 15
AX40 0170	Heater - 230V/18W	15 - 15

Part No.	Description	Page and Index No.
0450 4010B	Tapping Screw - 4x10	7 -109
0451 3006B	Tapping Screw - M3x6	9 -101
0451 3006B	Tapping Screw - M3x6	7 -101
0451 3006B	Tapping Screw - M3x6	13 -112
0451 3006B	Tapping Screw - M3x6	11 -101
0451 3006H	Tapping Screw - 3x6	15 -102
0451 4008B	Philips Tapping Screw - M4x8	9 -114
0451 4008B	Philips Tapping Screw - M4x8	13 -101
0451 4008B	Philips Tapping Screw - M4x8	7 -103
0451 4008H	Tapping Screw - 4x8	13 -102
0451 4008H	Tapping Screw - 4x8	15 -103
0451 4010B	Tapping Screw - 4x10	11 -102
0451 4010B	Tapping Screw - 4x10	9 -103
0452 3010B	Tapping Bind Screw - M3x10	5 -101
0453 3008B	Bind Tapping Screw - M3x8	9 -105
0453 3010B	Binding Self Tapping Screw - M3x10	9 -113
0453 3010B	Binding Self Tapping Screw - M3x10	11 -108
0453 3012B	Binding Self Tapping Screw - 3x12	7 -102
0720 0040E	Retaining Ring - M4	13 -111
0720 0040E	Retaining Ring - M4	11 -104
0720 0040E	Retaining Ring - M4	9 -107
0720 0060E	Retaining Ring - M6	11 -103
0720 0060E	Retaining Ring - M6	9 -106
0720 0060E	Retaining Ring - M6	7 -104
0801 1179	Philips Screw With Toothed Washer	9 -111
0801 1179	Philips Screw With Toothed Washer	7 -105
0801 1245	Philips Pan Head Screw - M2.3x8	7 -108
0802 5276	Tapping Screw With Washer - M3x6	13 -104
0802 5276	Tapping Screw With Washer - M3x6	9 -102
0802 5282	Tapping Screw - M4x8	13 -103
0802 5282	Tapping Screw - M4x8	15 -101
0802 5282	Tapping Screw - M4x8	3 -101
0802 5282	Tapping Screw - M4x8	9 -104
0951 4006B	Philips Screw With Washer - M4x6	3 -102
0954 5014B	Screw:Polished Round/Spring:M5x14	15 -104

Part No.	Description	Page and Index No.
1105 0019	Nylon Clamp - 11N	3 -103
1105 0051	DKN Clumper - 13M	3 -104
1105 0409	Card Spacer- 6.4mm	15 -108
1105 0436	Locking Support - KGCP-08-0	15 -105
1105 0487	Harness Clamp	9 -109
1105 0488	Harness Clamp	15 -109
1105 0511	Harness Clamp - LWS-0306ZC	11 -105
1105 0511	Harness Clamp - LWS-0306ZC	15 -107
1105 0511	Harness Clamp - LWS-0306ZC	9 -108
1105 0511	Harness Clamp - LWS-0306ZC	7 -107
1105 0516	Clamp	15 -112
1105 0518	Edge Saddle - LES-1010	9 -110
1105 0521	Clamp - LES-1017	13 -109
1105 0521	Clamp - LES-1017	15 -110
1105 0522	Edge Saddle - LES0510	7 -106
1105 0522	Edge Saddle - LES0510	9 -112
1105 0522	Edge Saddle - LES0510	11 -106
1105 0522	Edge Saddle - LES0510	15 -111
1105 0531	Locking Support-EMSS-4S	13 -105
1105 0544	Edge Saddle:LES-2017	11 -107
1105 0563	Clamp - LWSS-2N	13 -106
1106 0063	Snap Bushing	13 -108
1106 0459	Bushing - 20.2mm	15 -106
1204 2634	Rocker Switch - Aj76200b	13 -107
1607 0534	Ferrite Core - ZCAT3035-1330	13 -110

Part No.	Description	Page and Index No.
5205 4527	Spring - Exit	7 - 17
5215 2621	Snap Ring - M6	9 - 12
5403 1030	Tension Spring	11 - 3
5403 2819	Spring Anchor - Reverse Roller	7 - 28
5422 1737	Shaft	11 - 26
5446 2824	Screw - Duplex Guide Plate	9 - 5
5447 2681	Snap Ring	13 - 12

Part No.	Description	Page and Index No.
----------	-------------	--------------------